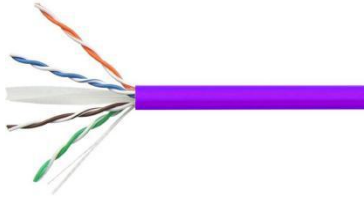


620209

Copper Cable, Category 6, unshielded, LSZH, 1000 ft, violet



Product Classification

Regional Availability	Asia EMEA
Portfolio	LITANG®
Product Type	Twisted pair cable
Product Series	620 Series

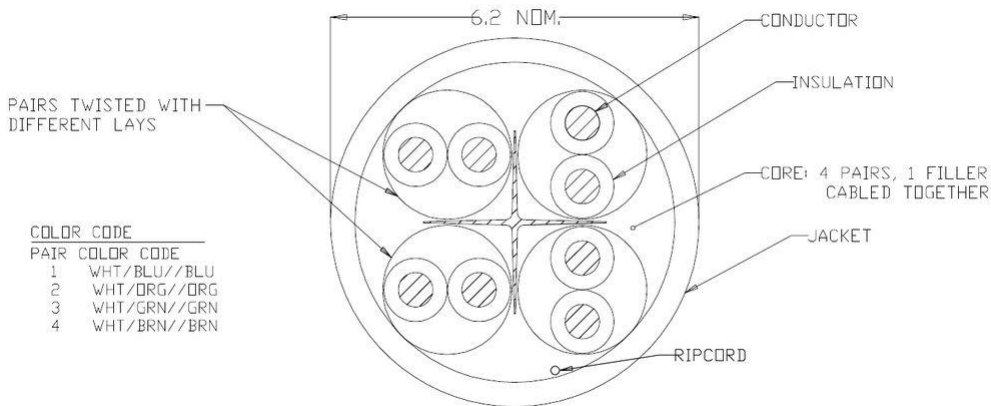
General Specifications

Product Number	620209
ANSI/TIA Category	6
Cable Component Type	Horizontal
Cable Type	U/UTP (unshielded)
Conductor Type, singles	Solid
Conductors, quantity	8
Jacket Color	Violet
Pairs, quantity	4
Transmission Standards	ANSI/TIA-568-C.2 CENELEC EN 50288-6-1 ISO/IEC 11801 Class E

Dimensions

Cable Length	1000 ft 304.8 m
Diameter Over Jacket, nominal	0.252 in 6.401 mm
Conductor Gauge, singles	23 AWG

Cross Section Drawing



Electrical Specifications

Characteristic Impedance	100 ohm
Characteristic Impedance Tolerance	±15 ohm
Delay Skew, maximum	45 ns
Mutual Capacitance at Frequency	5.6 nF/100 m @ 1kHz
Nominal Velocity of Propagation (NVP)	65 %
Operating Voltage, maximum	80 V
Remote Powering	Fully complies with the recommendations set forth by IEEE 802.3bt (Type 4) for the safe delivery of power over LAN cable when installed according to ISO/IEC 14763-2, CENELEC EN 50174-1, CENELEC EN 50174-2 or TIA TSB-184-A

Material Specifications

Conductor Material	Bare copper
---------------------------	-------------

620209

Insulation Material

Polyolefin

Jacket Material

Low Smoke Zero Halogen (LSZH)

Environmental Specifications

Operating Temperature

-20 °C to +75 °C (-4 °F to +167 °F)

Storage Temperature

-20 °C to +60 °C (-4 °F to +140 °F)

Flame Test Method

NEC Article 800 | UL 444

Packaging and Weights

Packaging Type

Reel in box